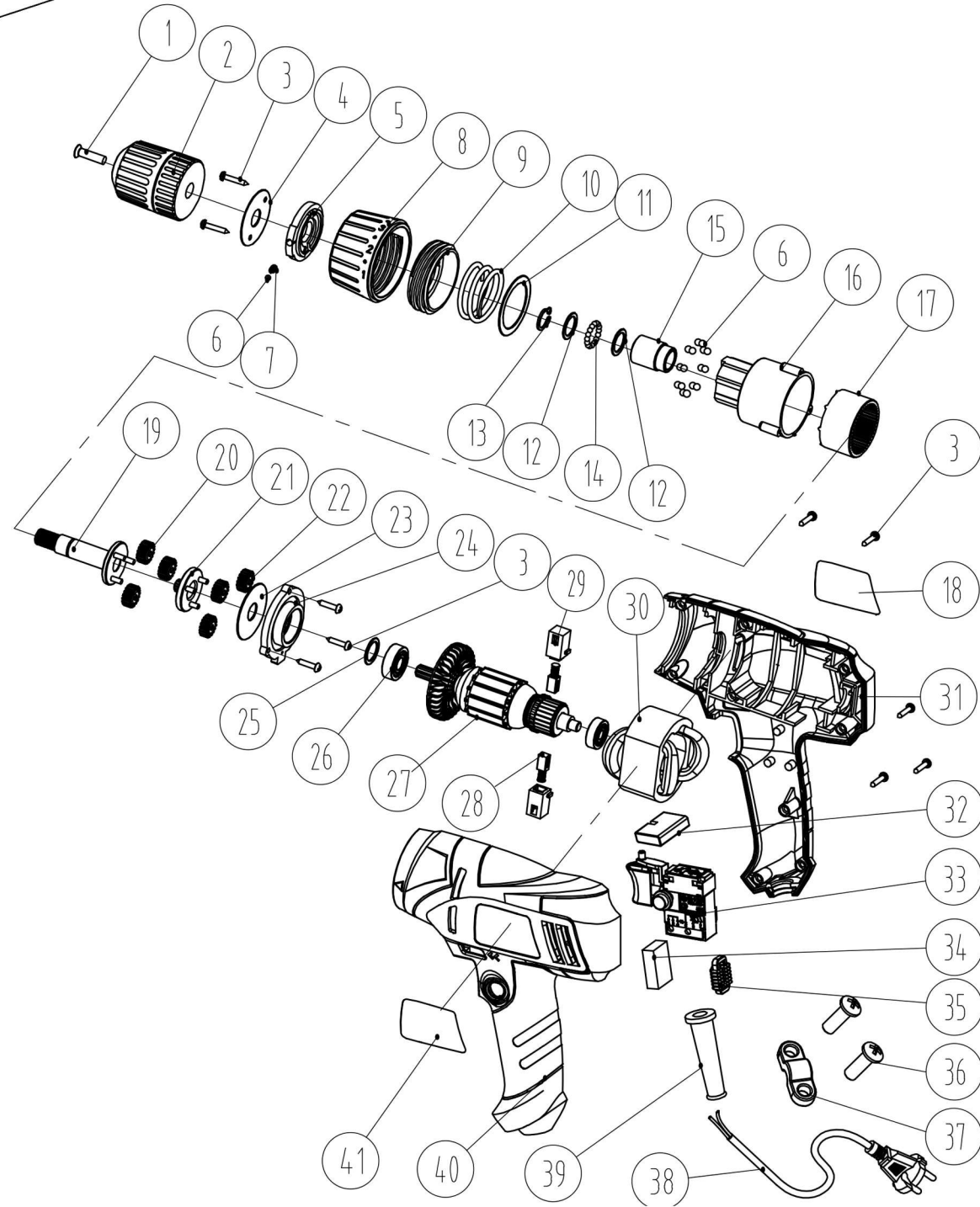




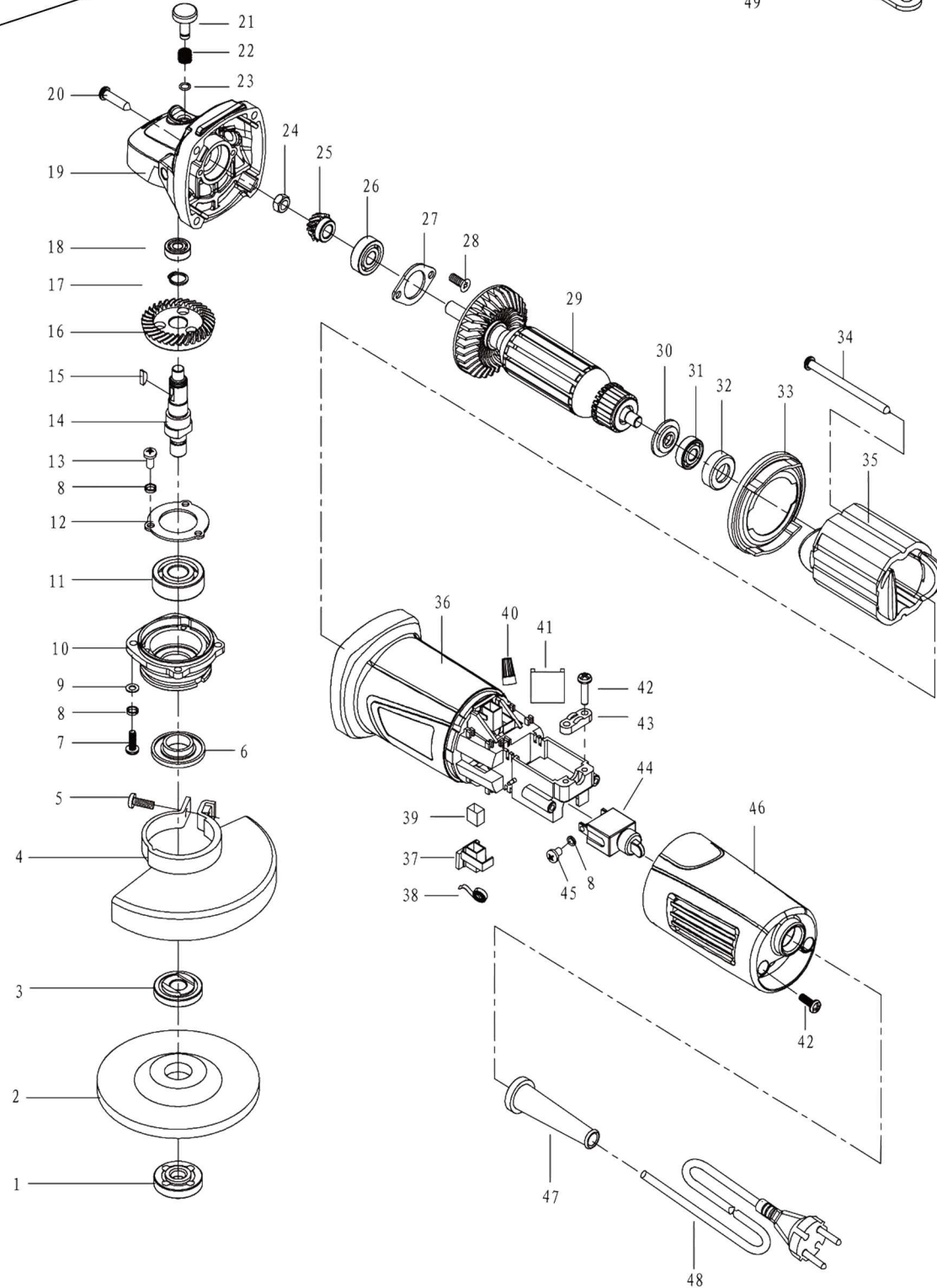
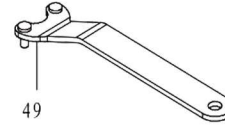
CM501
SCREW DRIVER



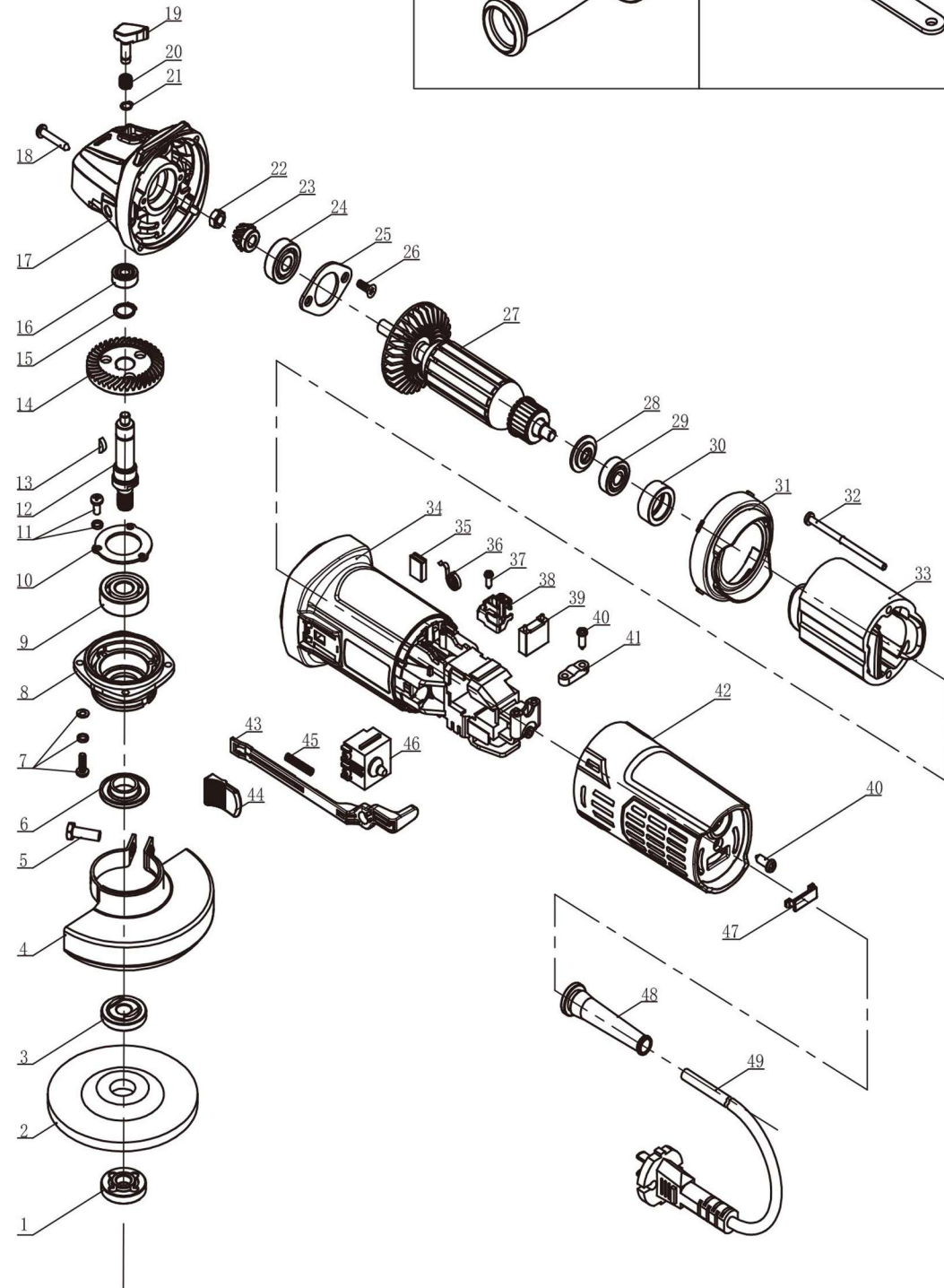
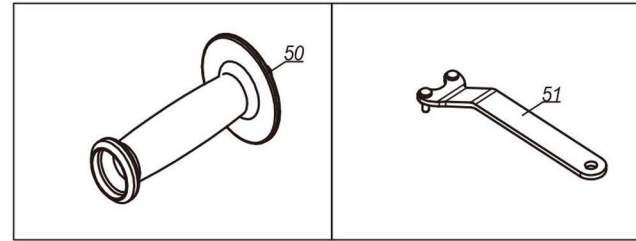
CM501
SCREW DRIVER



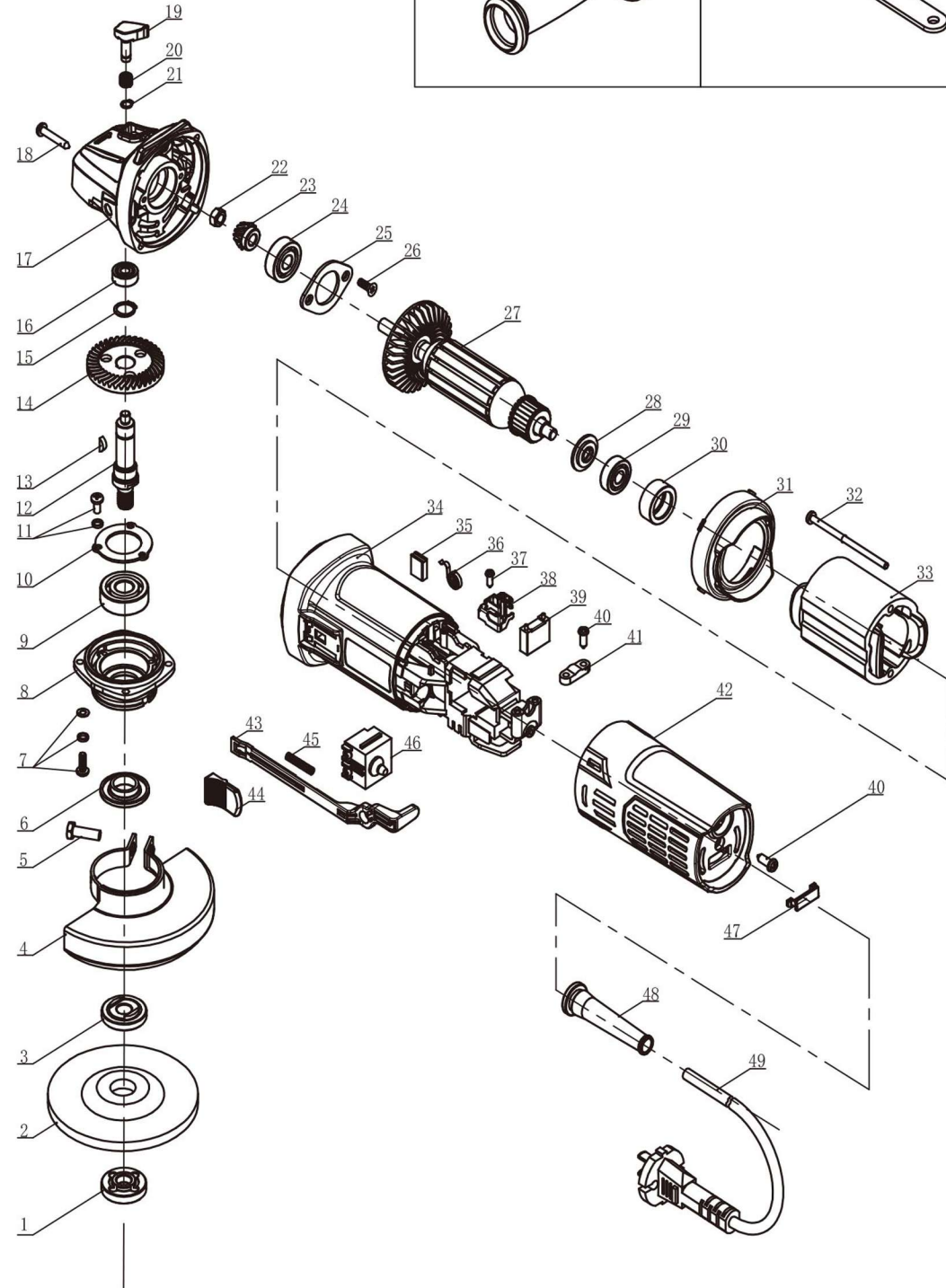
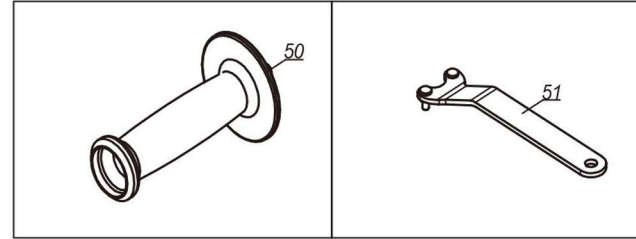
| PART NUMBER | PART NAME | MRP |
|-------------|-------------------|-----|
| 1 | SCREW | 20 |
| 3--24 | GEAR BOX ASSEMBLY | 714 |
| 27 | ARMATURE | 643 |
| 28 | CARBON BRUSH | 57 |
| 29 | CARBON HOLDER | 107 |
| 30 | FIELD COIL | 500 |
| 31,40 | HOUSING | 429 |
| 32 | SWITCH SLIDE | 71 |
| 33 | SWITCH | 357 |



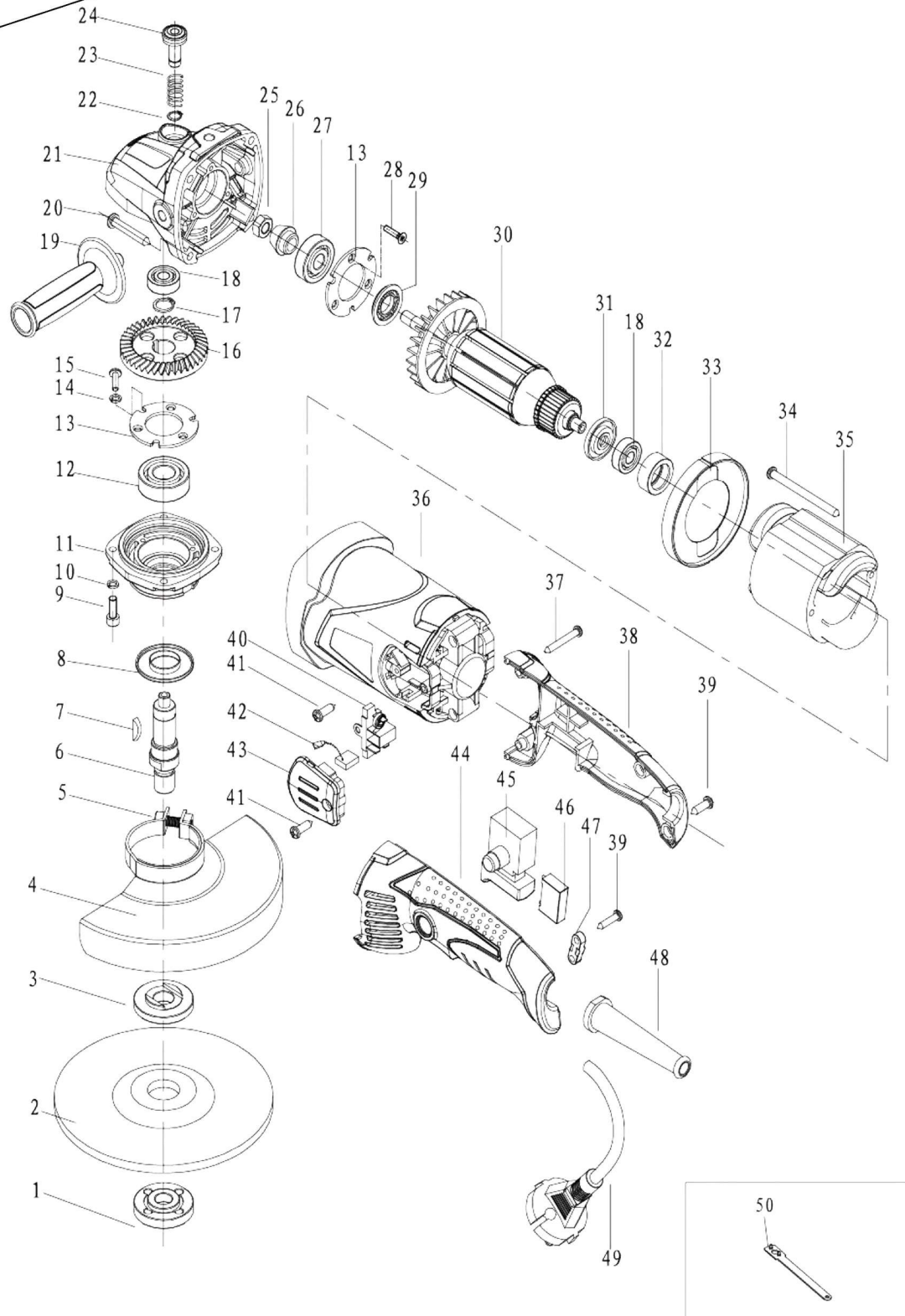
| PART NUMBER | PART NAME | MRP |
|-------------|-------------------|-----|
| 1,3 | AB WASHER | 107 |
| 10 | BEARING BOX | 143 |
| 14 | SPINDLE | 107 |
| 16,25 | GEAR SET | 393 |
| 19 | GEAR BOX | 357 |
| 21,22,23 | HEAD LOCK SET | 86 |
| 29 | ARMATURE ASSEMBLY | 714 |
| 32 | BEARING SLEEVE | 43 |
| 33 | WIND BAFFLE | 43 |
| 35 | FIELD COIL | 571 |
| 36 | MOTOR HOUSING | 429 |
| 37 | BRUSH HOLDER | 86 |
| 38 | COIL SPRING | 43 |
| 39 | CARBON BRUSH | 57 |
| 44 | SWITCH | 143 |
| 46 | REAR COVER | 214 |



| PART NUMBER | PART NAME | MRP |
|-------------|----------------|-----|
| 1,3 | AB WASHER | 107 |
| 6 | DUST COVER | 29 |
| 8 | BEARING COVER | 143 |
| 10 | BEARING PLATE | 29 |
| 12 | SPINDLE | 107 |
| 14,23 | GEAR SET | 429 |
| 17 | GEAR BOX | 357 |
| 19,20,21 | HEAD LOCK SET | 71 |
| 22 | NUT M6 | 29 |
| 25 | BEARING COVER | 43 |
| 27 | ARMATURE | 786 |
| 30 | BEARING SLEEVE | 43 |
| 31 | WINDSHIELD | 43 |
| 33 | FIELD COIL | 643 |
| 34 | MOTOR HOUSING | 429 |
| 36 | BRUSH HOLDER | 107 |
| 37 | BRUSH SPRING | 43 |
| 38 | CARBON BRUSH | 71 |
| 39 | SWITCH | 179 |
| 43 | REAR COVER | 179 |
| 46 | SIDE HANDLE | 214 |



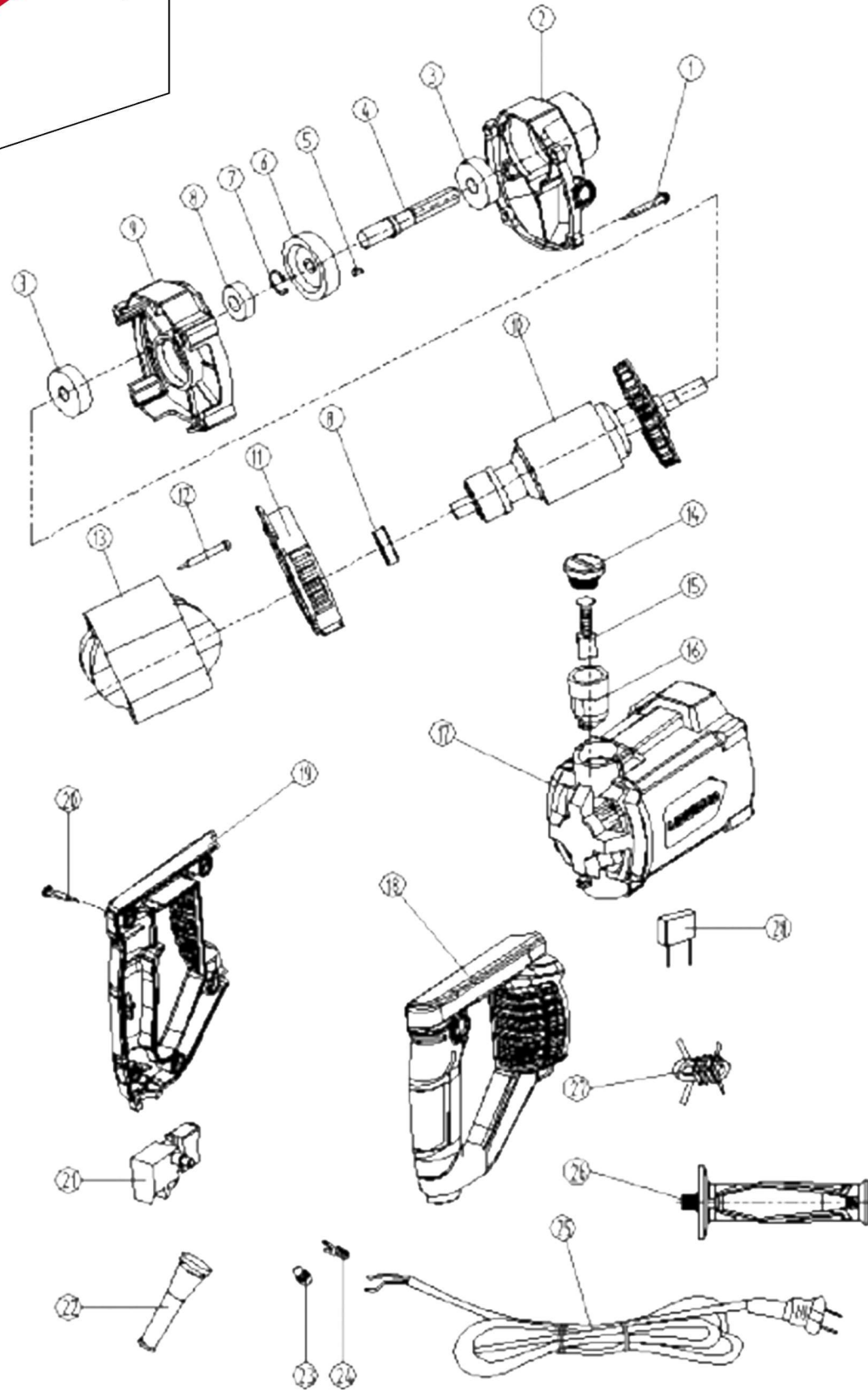
| PART NUMBER | PART NAME | MRP |
|-------------|-----------------|-----|
| 1,3 | AB WASHER | 107 |
| 8 | BEARING COVER | 143 |
| 6 | DUST COVER | 29 |
| 10 | BEARING PLATE | 29 |
| 12 | OUTPUT SHAFT | 107 |
| 14,23 | GEAR SET | 429 |
| 17 | GEAR BOX | 357 |
| 19,20,21 | HEAD LOCK SET | 71 |
| 22 | NUT M6 | 29 |
| 25 | BEARING COVER | 43 |
| 27 | ARMATURE | 786 |
| 30 | BEARING SLEEVE | 43 |
| 31 | WINDSHIELD | 43 |
| 33 | FIELD COIL | 643 |
| 34 | MOTOR HOUSING | 429 |
| 35 | CARBON BRUSH | 71 |
| 36 | BRUSH SPRING | 43 |
| 38 | BRUSH HOLDER | 107 |
| 42 | REAR COVER | 179 |
| 43 | PUSH ROD | 43 |
| 44 | PUSH BUTTON | 29 |
| 45 | PUSH ROD SPRING | 29 |
| 46 | SWITCH | 179 |



| PART NUMBER | PART NAME | MRP |
|-------------|----------------|------|
| 1-3 | AB WASHER | 186 |
| 6 | SPINDLE | 250 |
| 11 | BEARING BOX | 250 |
| 13 | BEARING CLAMP | 143 |
| 16,26 | GEAR SET | 786 |
| 21 | GEAR BOX | 571 |
| 22,23,24 | HEAD LOCK SET | 143 |
| 30 | ARMATURE | 1214 |
| 32 | BEARING SLEEVE | 71 |
| 33 | WIND BAFFLE | 100 |
| 35 | FIELD COIL | 939 |
| 36 | MOTOR HOUSING | 571 |
| 38,44 | SWITCH HANDLE | 286 |
| 40 | CARBON HOLDER | 143 |
| 42 | CARBON BRUSH | 86 |
| 43 | BRUSH CAP | 50 |
| 45 | SWITCH | 286 |



CM526
VIBRATOR



CM526
VIBRATOR

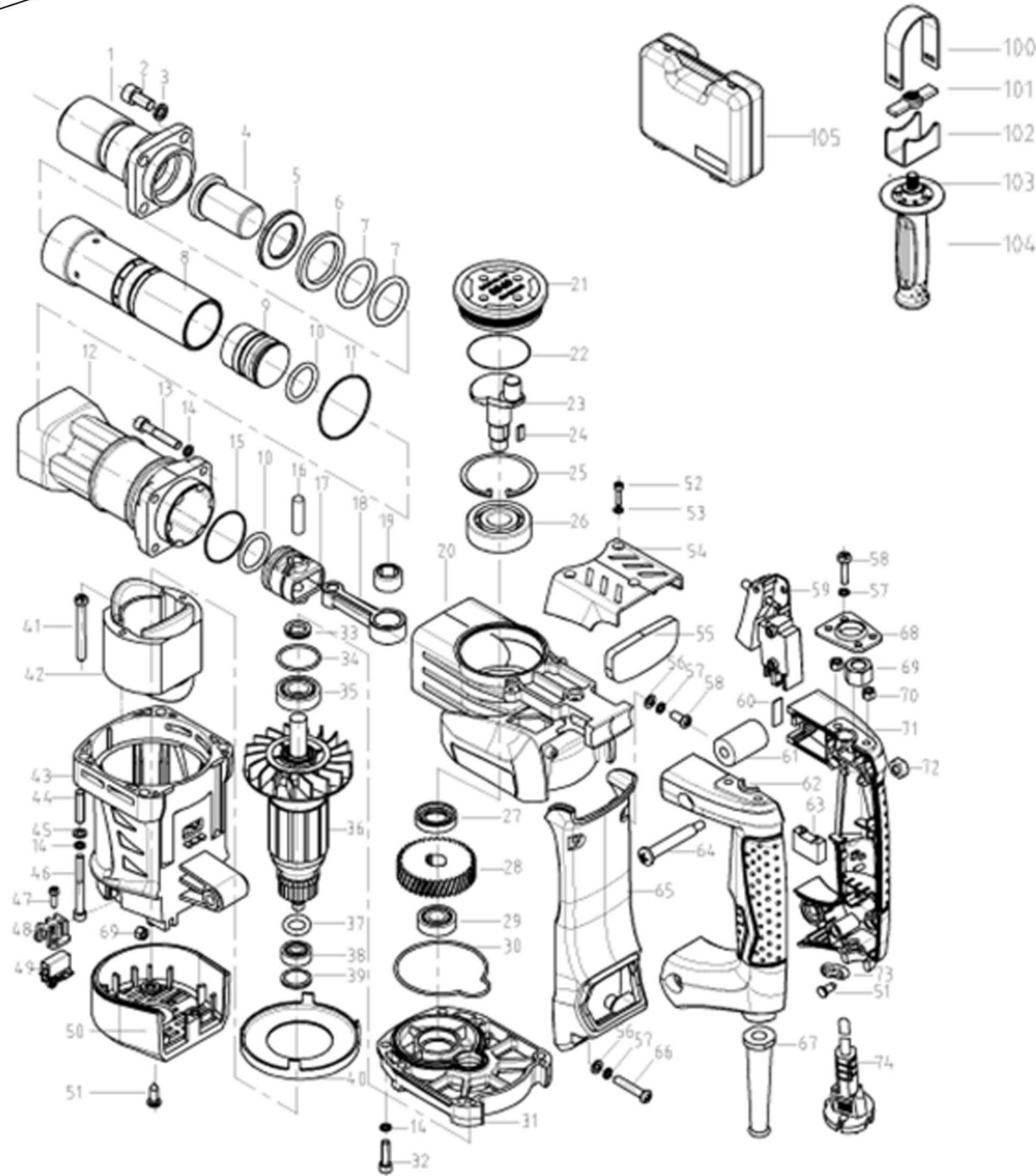


| PART NUMBER | PART NAME | MRP |
|-------------|-----------------------|------|
| 2 | GEAR BOX | 286 |
| 4 | OUTPUT SPINDLE | 143 |
| 6 | GEAR | 171 |
| 9 | MIDDLE COVER | 250 |
| 10 | ARMATURE | 1000 |
| 11 | FAN SHROUD | 100 |
| 13 | FIELD COIL | 643 |
| 14 | BRUSH CAP | 43 |
| 15 | CARBON BRUSH | 71 |
| 16 | BRUSH HOLDER | 114 |
| 17 | HOUSING | 400 |
| 18,19 | RIGHT AND LEFT HANDLE | 250 |
| 21 | SWITCH | 143 |
| | SHAFT 1.5 MTR X 35MM | 1250 |
| | SHAFT 3 MTR X 35MM | 2250 |



CM532

9KG DEMOLITION HAMMER



CM532

9KG DEMOLITION HAMMER

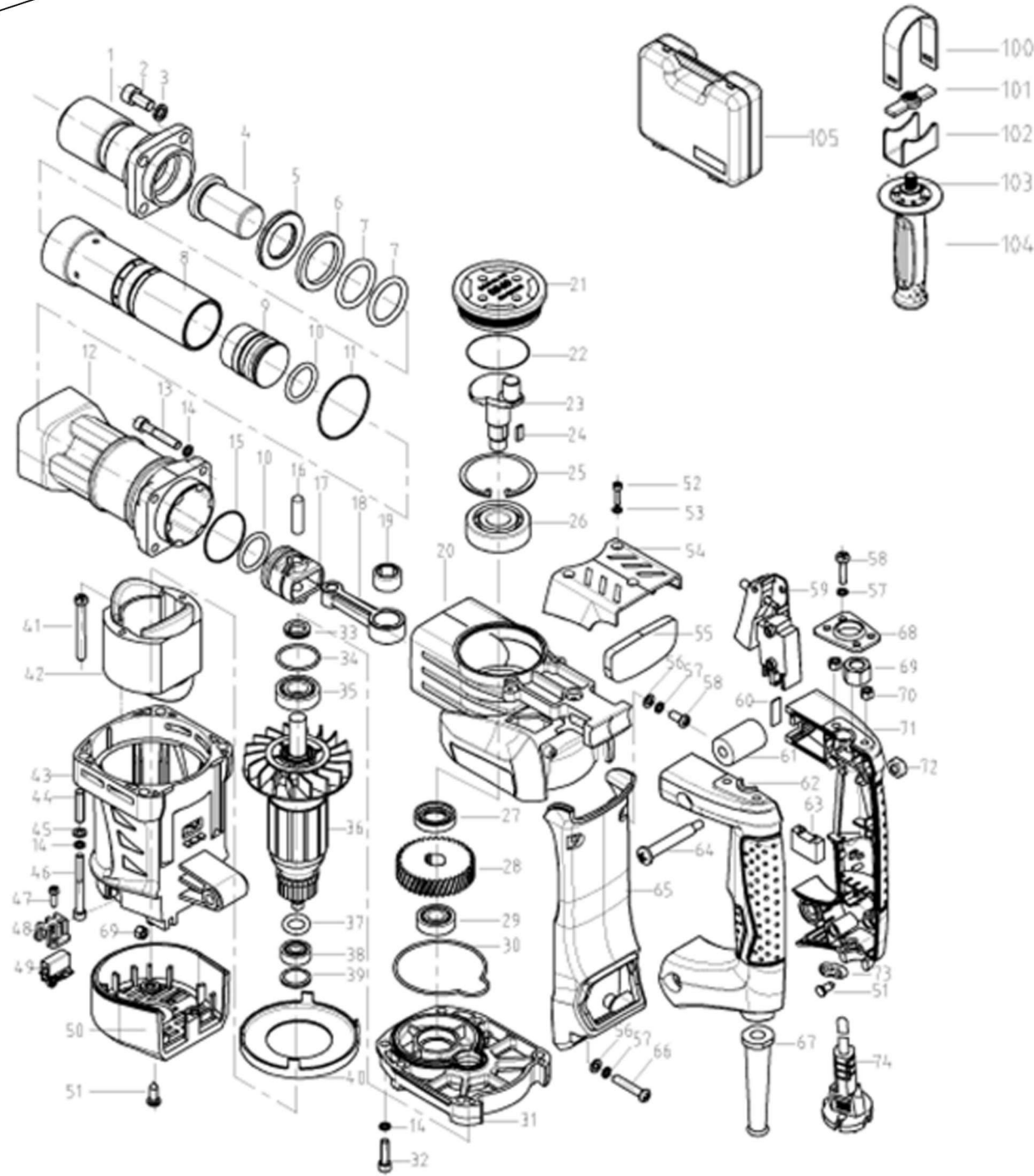


| PART NUMBER | PART NAME | MRP |
|-------------|-----------------------|------|
| 1 | MOUTH | 1000 |
| 4 | LMPACT BAR | 429 |
| 7 | O ING 26.3X4.3 | 86 |
| 8 | CYLINDER | 1000 |
| 9 | HAMMER | 429 |
| 10 | O RING 28.4X3.5 | 100 |
| 11 | O RING 44X2 | 100 |
| 12 | CYLINDER BODY | 1286 |
| 15 | O RING 49X2 | 71 |
| 16 | PISTON PIN | 107 |
| 17 | PISTON | 429 |
| 18 | CONNECTING ROD | 429 |
| 19 | NEEDLE BEARING NK1212 | 125 |
| 20 | GEAR BOX | 1286 |
| 21 | OIL CAP | 143 |
| 23 | ECCENTRIC SHAFT | 500 |
| 24 | FLAT KEY 4X4X12 | 20 |



CM532

9KG DEMOLITION HAMMER

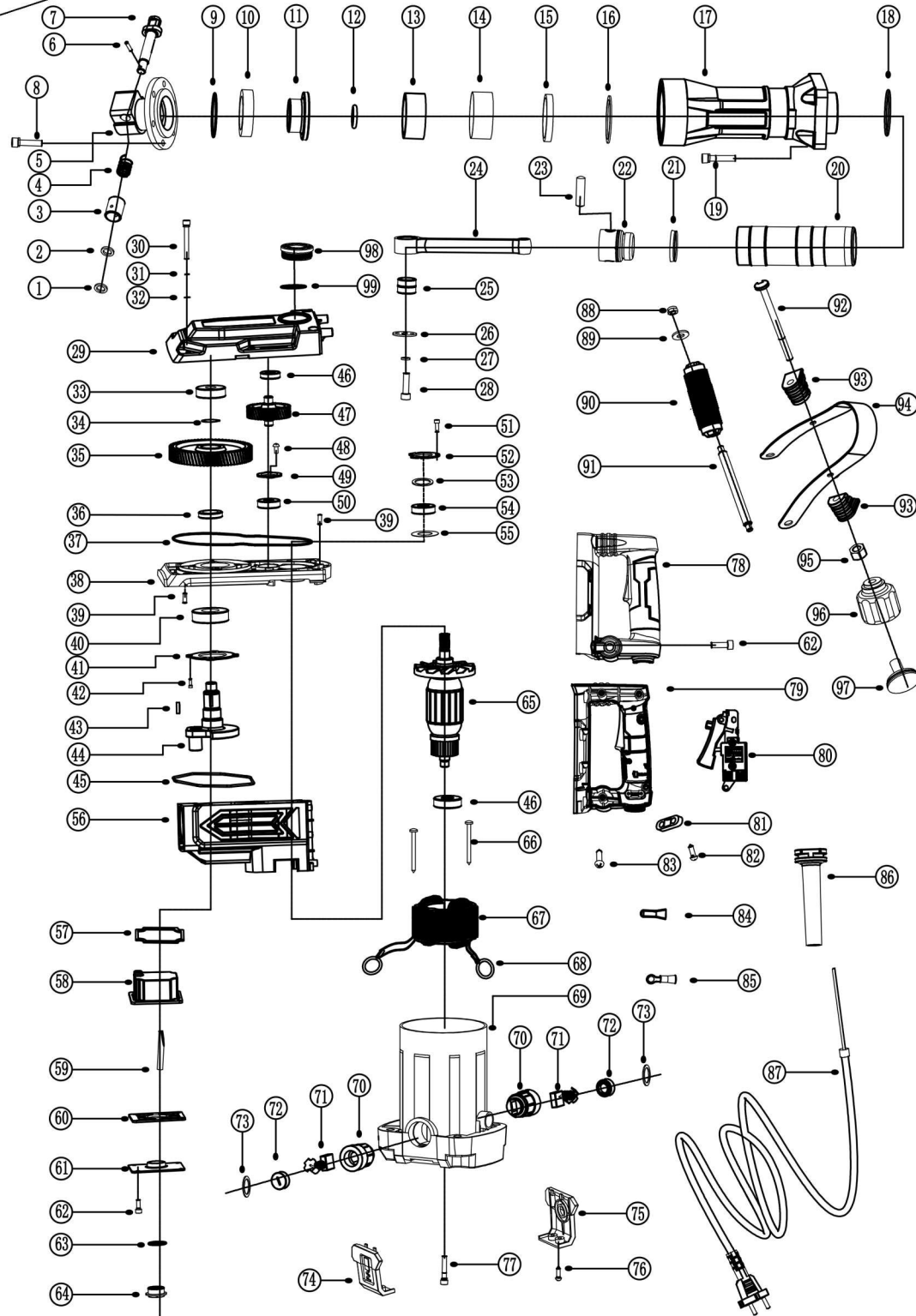


CM532

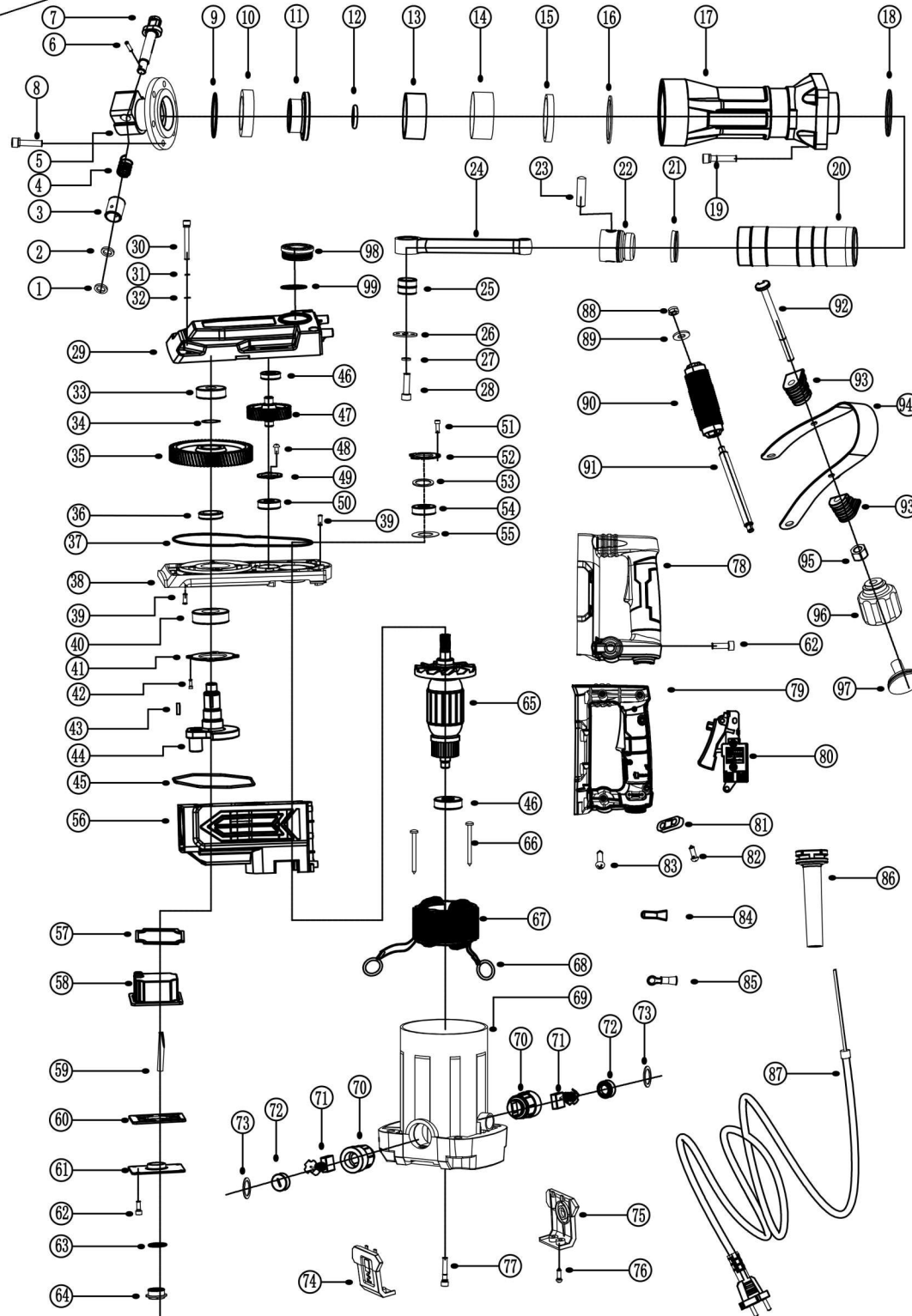
9KG DEMOLITION HAMMER



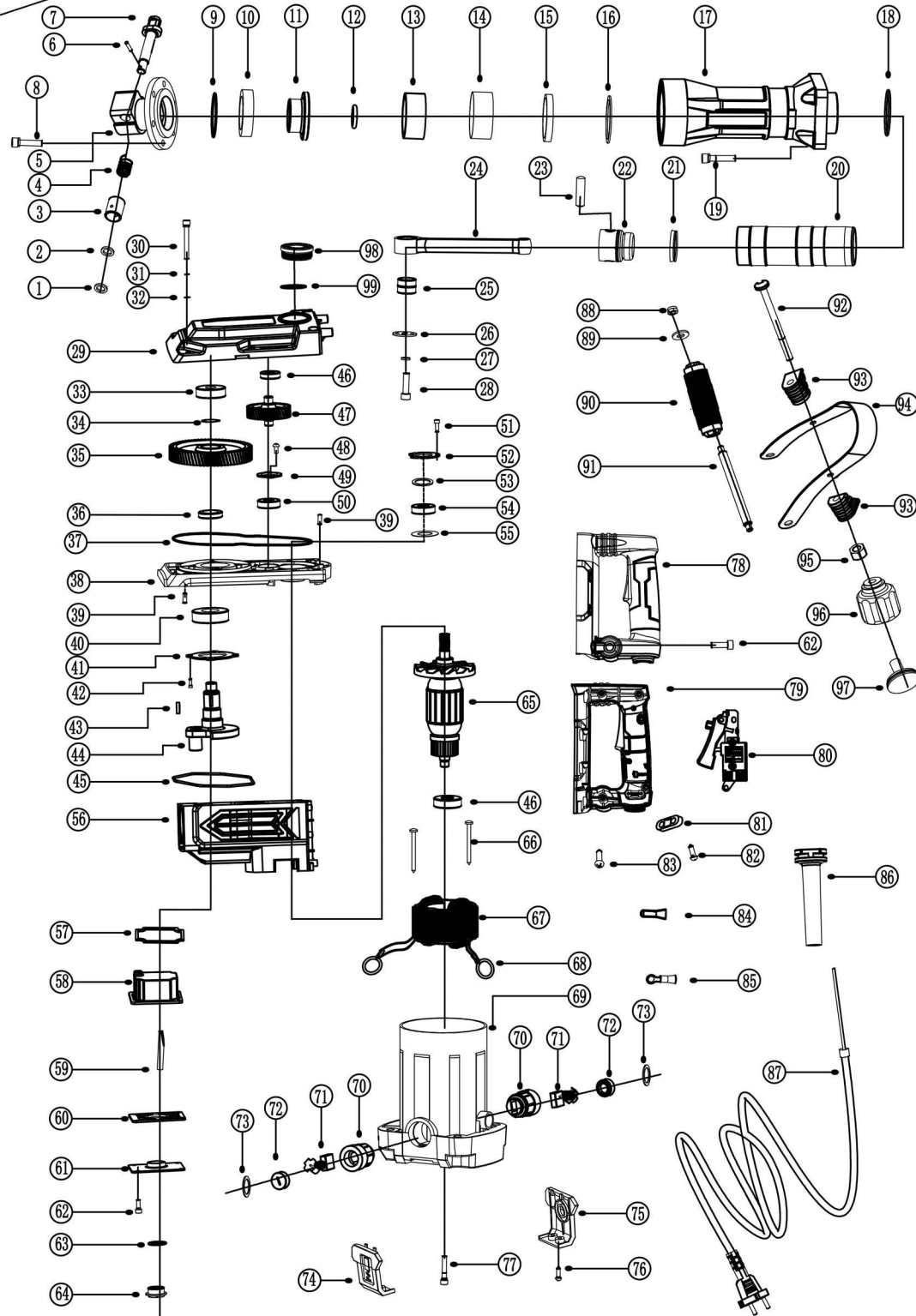
| PART NUMBER | PART NAME | MRP |
|-------------|----------------|------|
| 27 | GREASE SEAL 30 | 70 |
| 28 | BIG GEAR | 714 |
| 30 | OIL SEAL WASHE | 70 |
| 31 | MIDDLE COVER | 571 |
| 36 | ARMATURE | 1429 |
| 39 | BEARING SLEEVE | 30 |
| 40 | WIND BAFFLE | 75 |
| 42 | FIELD COIL | 1071 |
| 43 | MOTOR HOUSING | 1000 |
| 48 | BRUSH HOLDER | 214 |
| 49 | CARBON BRUSH | 143 |
| 50 | REAR COVER | 571 |
| 54 | HEAD COVER | 214 |
| 59 | SWITCH | 357 |
| 62,71 | SWITCH HANDLE | 571 |
| 65 | PLASTIC COVER | 214 |
| 100 - 104 | SIDE HANDLE | 571 |



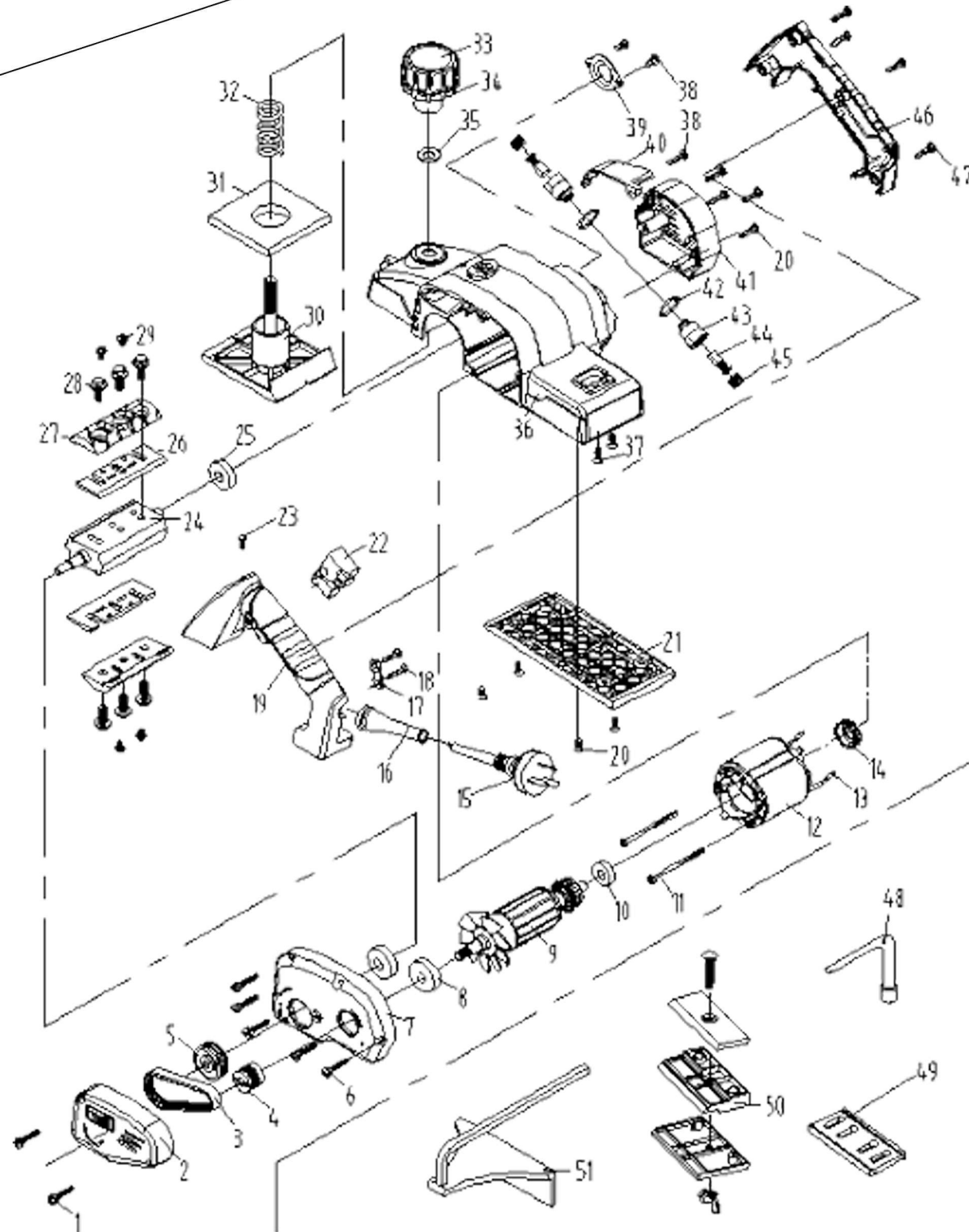
| PART NUMBER | PART NAME | MRP |
|-------------|-------------------------|------|
| 5 | CHISEL CHUCK | 571 |
| 7 | LOCK BAR | 143 |
| 9 | O RING | 71 |
| 11 | DRILL BIT HANDLE SLEEVE | 214 |
| 13 | SPLIT RING SLEEVE | 71 |
| 14 | SPLIT RING | 214 |
| 15 | CYLINDER GASKET | 71 |
| 16 | DAMPING RING | 71 |
| 17 | CYLINDER HOUSING | 1714 |
| 18 | O RING | 43 |
| 20 | CYLINDER | 857 |
| 21 | SEAL RING | 71 |
| 22 | PISTON | 357 |
| 23 | PISTON PIN | 71 |
| 24 | CONNECTION ROD | 429 |
| 29 | UPPER COVER | 714 |
| 35 | BIG GEAR | 571 |



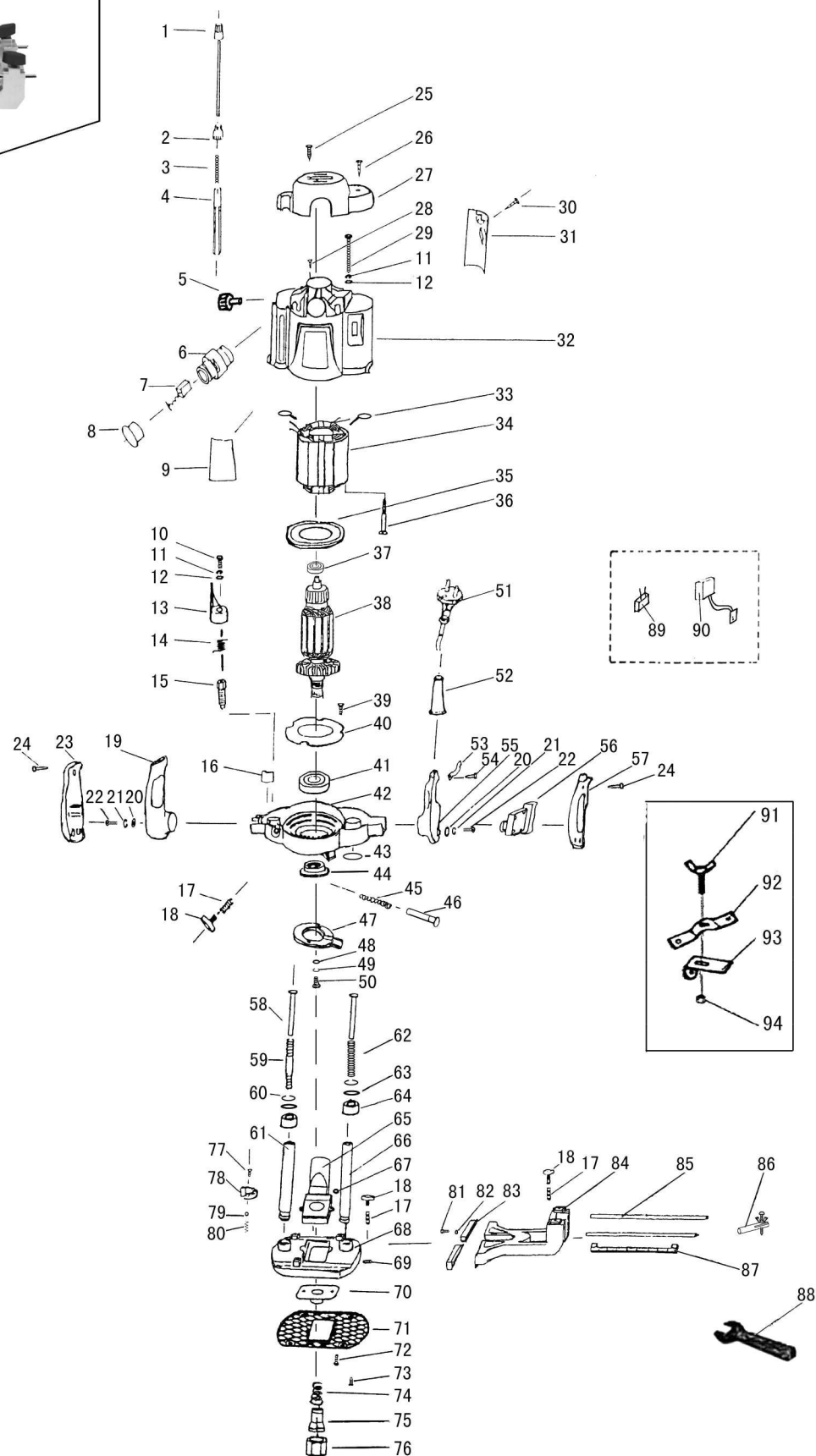
| PART NUMBER | PART NAME | MRP |
|-------------|------------------------|------|
| 36 | DISTANCE RING OF GEAR | 71 |
| 37 | OCTAGONAL RING | 71 |
| 38 | MIDDLE COVER | 714 |
| 41 | BEARING PRESSING PLATE | 71 |
| 44 | ECCENTRIC SHAFT | 500 |
| 47 | GEAR | 357 |
| 56 | GEAR HOUSING | 2143 |
| 57 | OIL TANK GASKET | 71 |
| 58 | OIL TANK | 143 |
| 60 | OIL COVER GASKET | 71 |
| 61 | OIL COVER | 71 |
| 64 | OIL HOLE | 71 |
| 65 | ARMATURE | 1714 |
| 67 | FIELD COIL | 1429 |
| 68 | TENSION SPRING | 71 |
| 69 | MOTOR HOUSING | 571 |
| 70 | CARBON BRUSH HOLDER | 357 |



| PART NUMBER | PART NAME | MRP |
|-------------|--------------------------------------|-----|
| 71 | CARBON BRUSH | 171 |
| 72 | CARBON BRUSH HOLDER COVER | 71 |
| 73 | RUBBER GASKET OF CARBON BRUSH HOLDER | 71 |
| 74 | CARBON BRUSH HOLDER COVER | 71 |
| 75 | CARBON BRUSH HOLDER COVER | 71 |
| 78,79 | LEFT AND RIGHT HANDLE | 571 |
| 80 | SWITCH | 286 |
| 88-97 | SIDE HANDLE COMPLETE | 714 |
| 98 | OIL COVER | 71 |
| 99 | O RING | 43 |



| PART NUMBER | PART NAME | MRP |
|-------------|-----------------------|------|
| 2 | BELT COVER | 100 |
| 3 | BELT | 114 |
| 4 | SMALL V-PULLEY | 71 |
| 5 | BIG V-PULLEY | 143 |
| 7 | BRACKET | 357 |
| 9 | ARMATURE | 857 |
| 12 | FIELD COIL | 643 |
| 19,46 | LEFT AND RIGHT HANDLE | 286 |
| 21 | BASE | 171 |
| 22 | SWITCH | 179 |
| 24 | DRUM BODY | 429 |
| 27 | DRUM PLATE | 286 |
| 30-35 | FRONT BASE PLATE SET | 500 |
| 36 | MAIN HOUSING | 1071 |
| 40 | CLIP COVER | 71 |
| 41 | REAR COVER | 143 |
| 43 | BRUSH HOLDER | 107 |
| 44 | CARBON BRUSH | 57 |
| 45 | BRUSH HOLDER CAP | 43 |
| | | |
| | | |
| | | |
| | | |

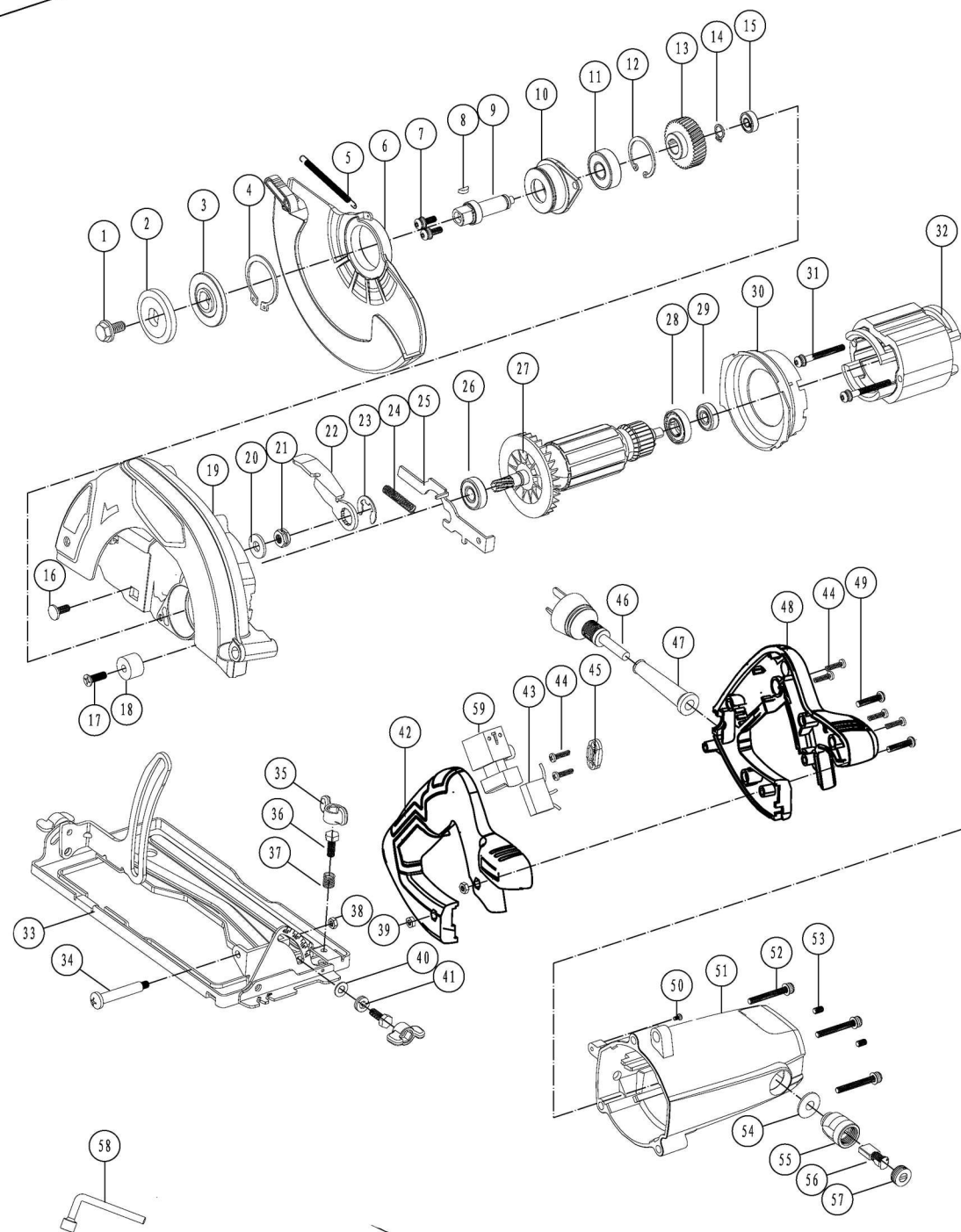


| PART NUMBER | PART NAME | MRP |
|-------------|----------------|------|
| 6 | CARBON HOLDER | 286 |
| 7 | CARBON BRUSH | 114 |
| 8 | CARBON CAP | 86 |
| 19,23 | LEFT HANDLE | 357 |
| 27 | TOP COVER | 200 |
| 32 | HOUSING | 929 |
| 34 | FIELD COIL | 1429 |
| 38 | ARMATURE | 2143 |
| 42 | GEAR BOX | 857 |
| 44 | GEAR BOX PLATE | 143 |
| 45,46 | LOCK SET | 171 |
| 47 | LOCKING BLOCK | 260 |
| 55,57 | RIGHT HANDLE | 357 |
| 56 | SWITCH | 357 |
| 68 | BASE | 500 |
| 71 | BASE BOARD | 357 |
| 74 | COLLET SPRING | 50 |
| 75 | COLLET 8MM | 143 |
| 75 | COLLET 12MM | 143 |
| 76 | NUT | 150 |
| 84 | SLIDING RACK | 214 |
| 85 | GUIDE POLE | 114 |
| 90 | SPEED CONTROL | 714 |



CM544

185MM CIRCULAR SAW

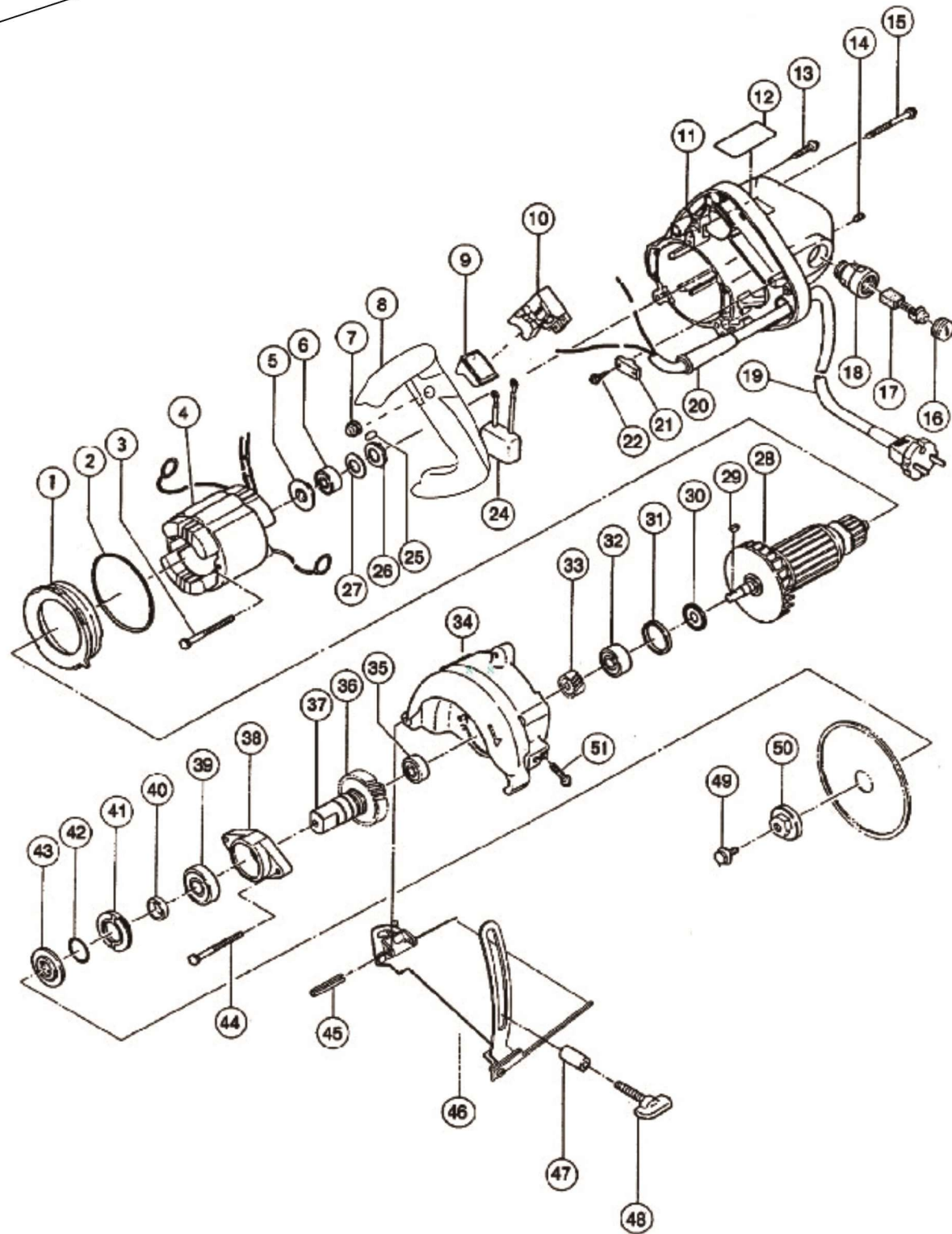


CM544

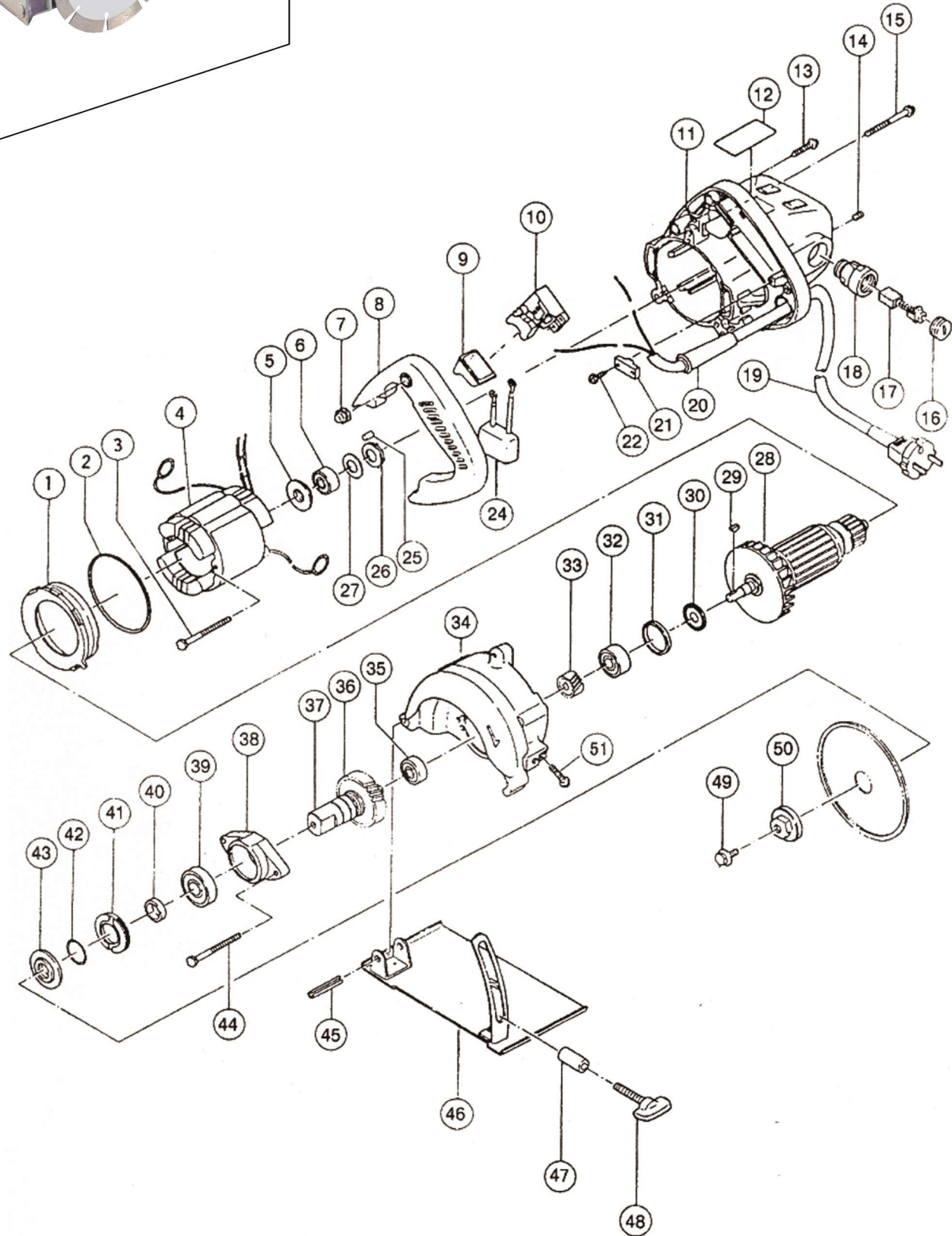
185MM CIRCULAR SAW



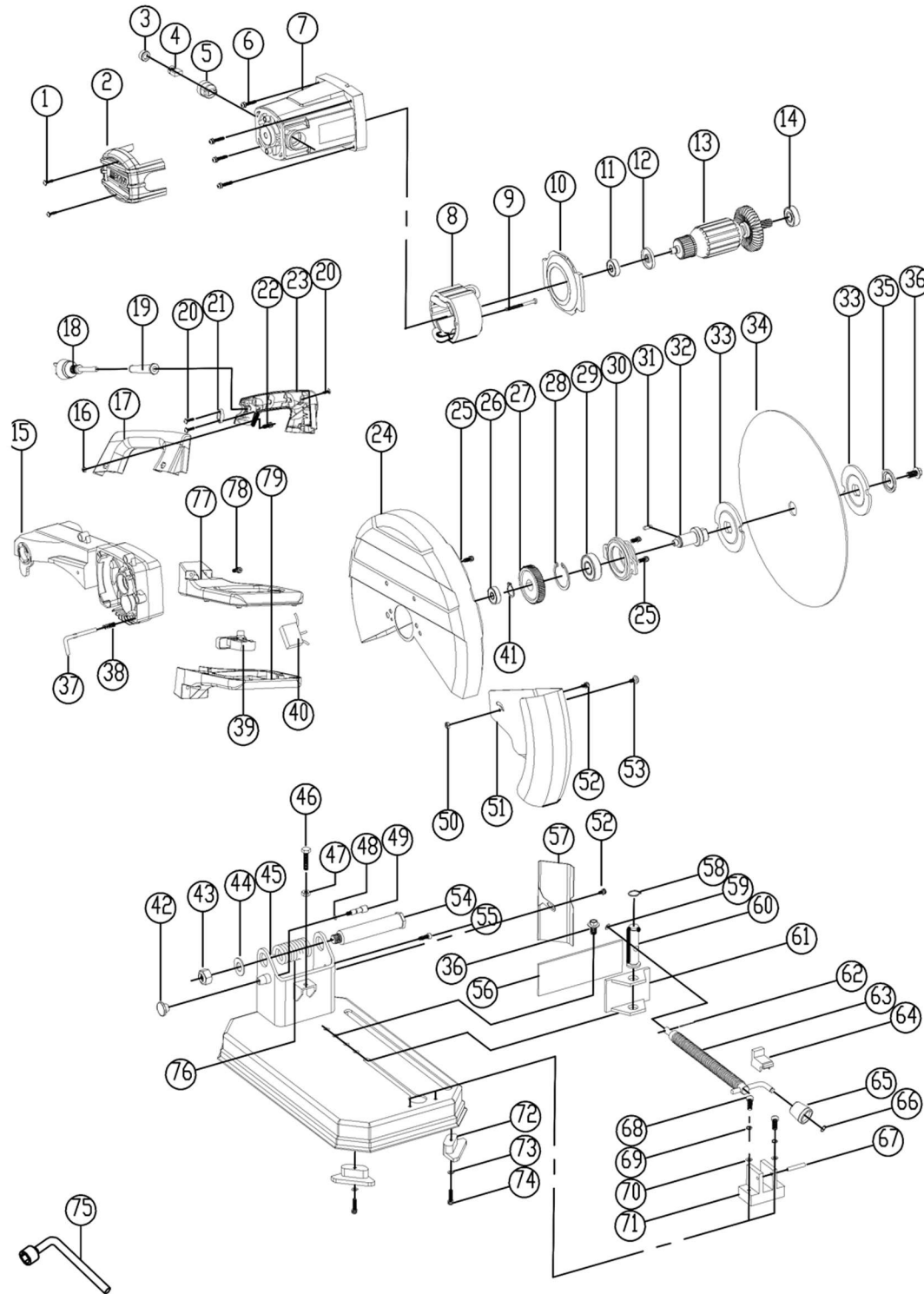
| PART NUMBER | PART NAME | MRP |
|-------------|-----------------------------------|-----|
| 1 | HEX BOLT M8×16 | 43 |
| 2,3 | AB WASHER | 171 |
| 5 | SPRING | 43 |
| 6 | BLADE GUARD | 286 |
| 9 | SPINDLE | 143 |
| 10 | SMALL HOUSING | 171 |
| 13 | GEAR | 250 |
| 19 | GEAR HOUSING | 643 |
| 22 | BASE LOCKING SPANNER | 143 |
| 23 | RING Φ12 | 43 |
| 24 | SELF LOCK SPRING Φ0.6XΦ6.3X2.8X37 | 43 |
| 25 | SELF LOCK | 71 |
| 27 | ARMAURE | 0 |
| 30 | WIND SHIELD | 71 |
| 32 | FIELD COIL | 0 |
| 33--41 | BASE SET | 571 |
| 42,48 | RIGHT AND LEFT HANDLE | 429 |
| 51 | MOTOR HOUSING | 429 |
| 55 | BRUSH HOLDER | 143 |
| 56 | CARBON BRUSH | 107 |
| 57 | BRUSH CAP | 71 |
| 59 | SWITCH | 214 |



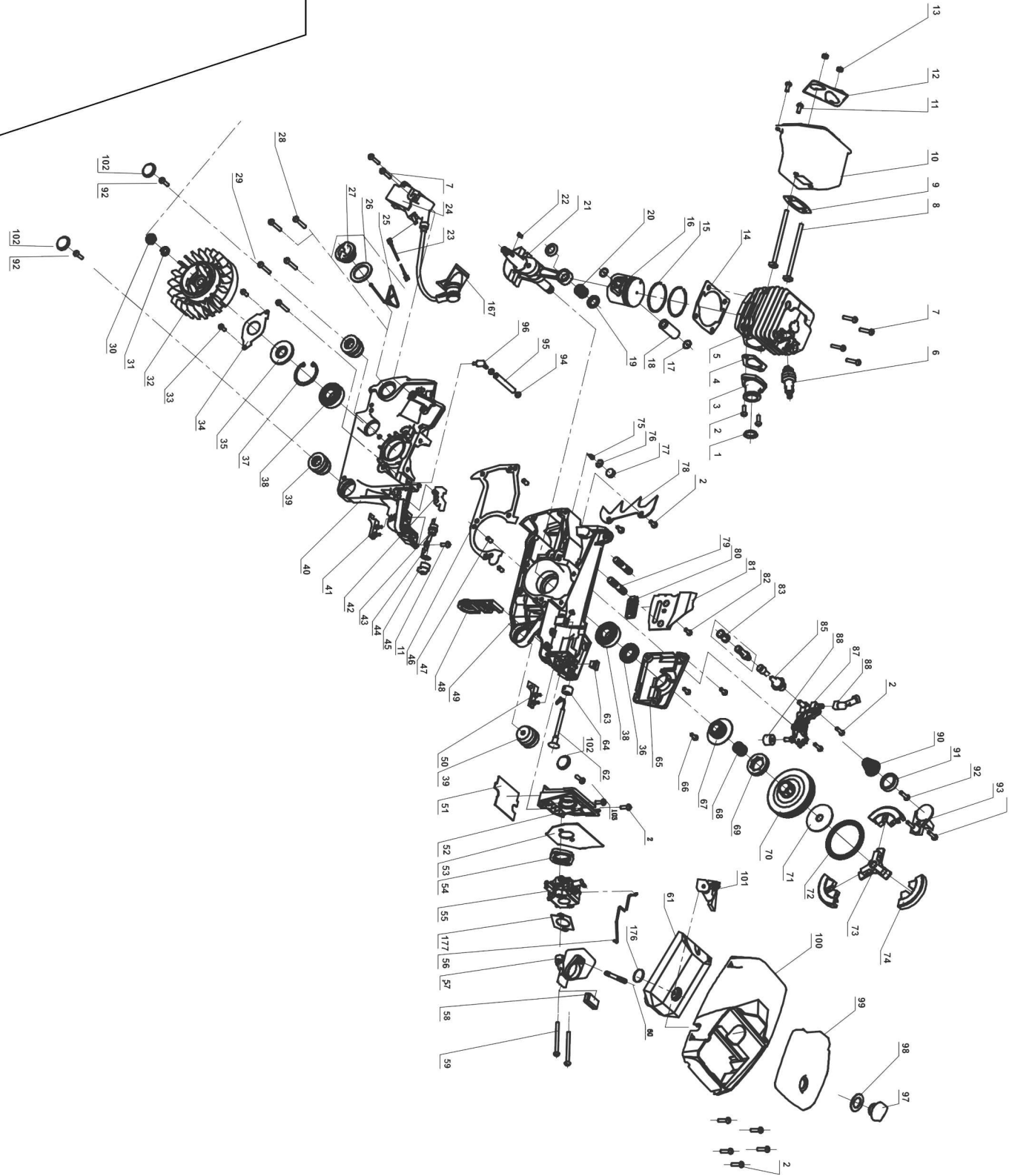
| PART NUMBER | PART NAME | MRP |
|-------------|---------------------|------|
| 4 | FIELD COIL | 964 |
| 8,11 | HOUSING WITH HANDLE | 714 |
| 10 | SWITCH | 143 |
| 33,36 | GEAR SET | 257 |
| 34 | GEAR BOX | 643 |
| 37 | SPINDLE | 114 |
| 38 | BEARING HOUSING | 171 |
| 28 | ARMATURE | 1000 |
| 46 | BASE PLATE | 257 |
| 43,50 | AB WASHER | 86 |
| 49 | L-NUT | 57 |
| 16 | BRUSH HOLDER | 114 |
| 18 | HOLDER CAP | 43 |
| 17 | CARBON BRUSH | 86 |



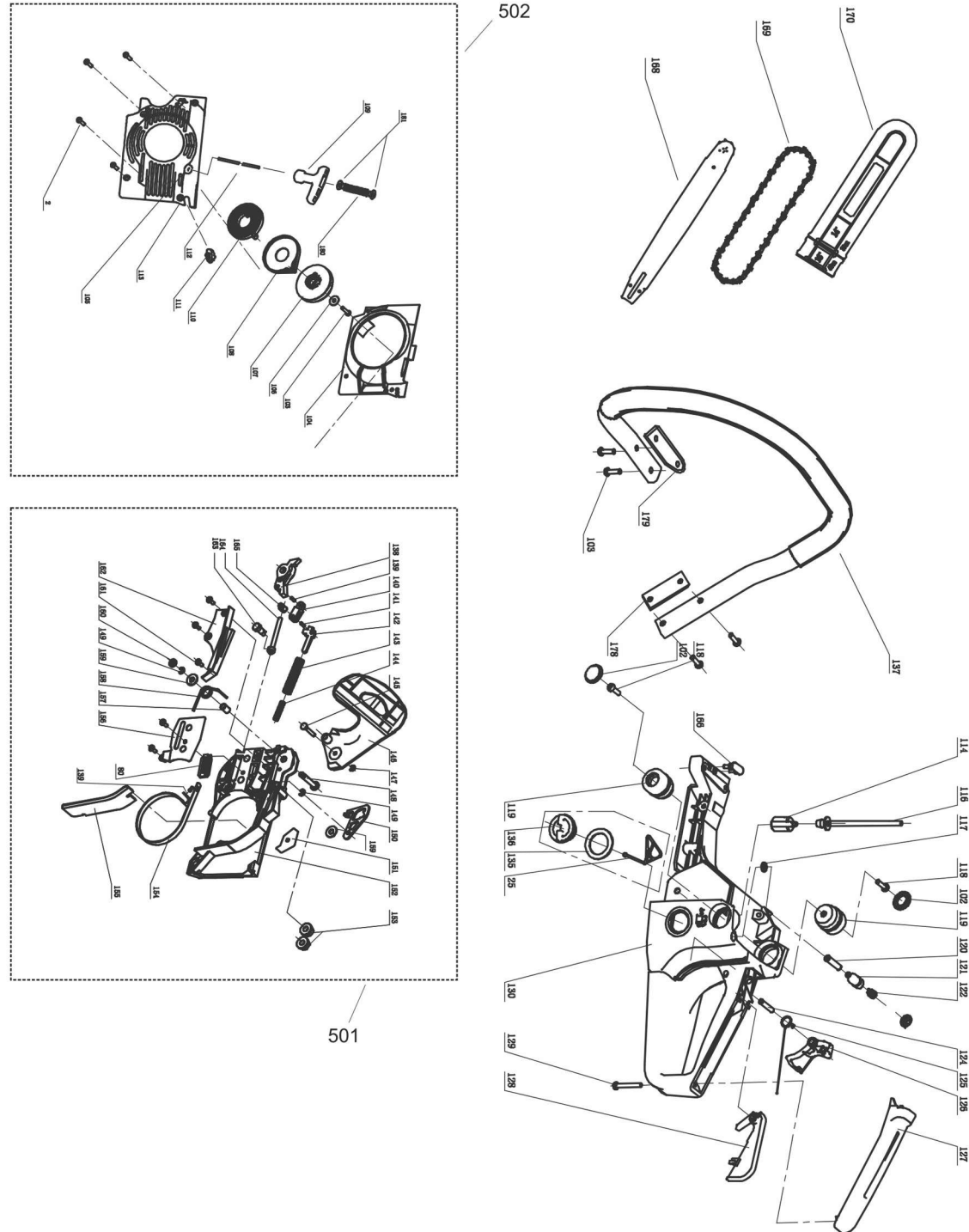
| PART NUMBER | PART NAME | MRP |
|-------------|---------------------|-----|
| 4 | STATOR | 643 |
| 8,11 | HOUSING WITH HANDLE | 643 |
| 10 | SWITCH | 107 |
| 16 | BRUSH HOLDER | 114 |
| 17 | CARBON BRUSH | 86 |
| 18 | HOLDER CAP | 43 |
| 28 | ARMATURE | 857 |
| 33,36 | GEAR SET | 214 |
| 34 | GEAR BOX | 643 |
| 37 | SPINDLE | 100 |
| 38 | BEARING HOUSING | 171 |
| 46 | BASE PLATE | 286 |
| 43,50 | AB WASHER | 86 |
| 49 | L-NUT | 57 |



| PART NUMBER | PART NAME | MRP |
|-------------|-------------------------|------|
| 2 | REAR COVER | 286 |
| 3 | BRUSH CAP | 71 |
| 4 | CARBON BRUSH | 107 |
| 5 | BRUSH HOLDER | 179 |
| 7 | MOTOR HOUSING | 857 |
| 8 | FIELD COIL | 1429 |
| 10 | WINDSHIELD | 100 |
| 13 | ARMATURE | 2000 |
| 15 | GEAR BOX | 1000 |
| 17,23 | LEFT AND RIGHT HANDLE | 500 |
| 24 | WHEEL GUARD | 1000 |
| 27 | GEAR | 571 |
| 30 | SMALL HOUSING | 214 |
| 32 | SPINDLE | 286 |
| 33 | AB WASHER | 357 |
| 39 | SWITCH | 357 |
| 51 | ATTACHED COVER | 57 |
| 76 | TORSIONAL SPRING | 357 |
| 77,79 | SWITCH HANDLE | 714 |
| | COMPLETE BASE WITH WISE | 2000 |



| PART NUMBER | PART NAME | MRP |
|-------------|------------------------------|------|
| 5,15,16,18 | CYLINDER PISTON SET ASSEMBLY | 1286 |
| 6 | SPARK PLUG | 143 |
| 10 | MUFFLER | 286 |
| 21 | CRANK SHAFT | 1143 |
| 24 | INGITION ASSEMBLY | 429 |
| 27 | FUEL TANK CAP | 107 |
| 32 | FLY WHEEL | 714 |
| 40,49 | CRANK CASE | 1714 |
| 43 | SWITCH | 143 |
| 55 | CARBURETOR | 1429 |
| 61 | AIR FILTER | 143 |
| 62 | CHOKE KNOB | 143 |
| 69 | SPROCKET | 214 |
| 70 | DRUM | 357 |
| 72,73,74 | CLUTCH ASSEMBLY | 357 |
| 87 | OIL PUMP | 286 |
| 99 | AIR FILTER COVER | 143 |



| PART NUMBER | PART NAME | MRP |
|-------------|-----------------------|------|
| 100 | TOP COVER | 429 |
| 130 | TANK ASSEMBLY | 1143 |
| 137 | HANDLE | 286 |
| 164,165 | CHAIN ADJUSTING SCREW | 71 |
| 168 | GUIDE BAR | 714 |
| 169 | SAW CHAIN | 857 |
| 501 | BREAK ASSEMBLY | 714 |
| 502 | START ASSEMBLY | 857 |